

**Legend**

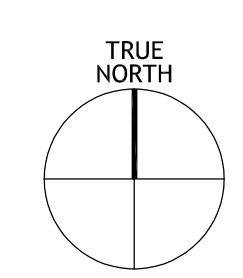
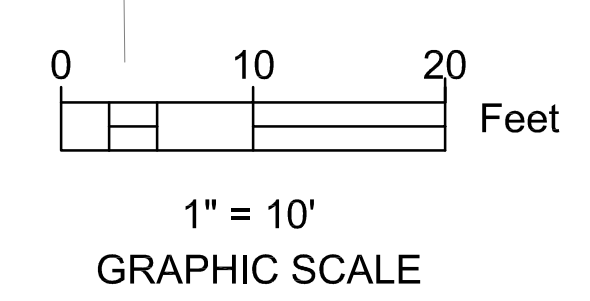
- PROPOSED CONCRETE SIDEWALK
- PROPOSED HEAVY DUTY CONCRETE PAVEMENT
- PROPOSED TREES (REF. LANDSCAPE)
- PROPOSED LIGHT DUTY CONCRETE PAVEMENT
- PROPOSED LANDSCAPE AREA (REF. LANDSCAPE)

**Parking Tabulation**

REGULAR PARKING	14
ACCESSIBLE PARKING (VAN)	01
<b>TOTAL</b>	<b>15</b>

**Keynotes**

- ① PROPOSED CURB AND GUTTER
- ② PROPOSED WROUGHT IRON FENCE
- ③ PROPOSED FLAG POLE
- ④ PROPOSED GAS PUMP
- ⑤ PROPOSED TRASH DUMPSTER LOCATION
- ⑥ PROPOSED SCREENING WALL
- ⑦ PROPOSED LOCATION FOR RELOCATED WATER METER
- ⑧ PROPOSED ARCHITECTURAL WALL
- ⑨ PROPOSED BARRIER-FREE ACCESSIBLE RAMP



**CONTROL POINT DETAILS**

500  
5/8" CAPPED IRON ROD SET  
NORTHING=7013636.30  
EASTING=2488725.99  
ELEV=601.16

501  
5/8" CAPPED IRON ROD SET  
NORTHING=7013634.63  
EASTING=2488345.28  
ELEV=599.80

**JQ INFRASTRUCTURE, LLC**  
100 GLASS STREET, SUITE 201  
DALLAS, TEXAS 75207  
972.392.7340  
PROJECT NO. 420309

**INFRASTRUCTURE**

DALLAS, TEXAS 75207  
TBP# FIRM 7986

CLIENT  
  
**City of Dallas**  
City of Dallas  
1500 Marilla Street,  
Room 6DS,  
Dallas, TX 75201  
T: (214) 671-5130

ARCHITECT  
  
**PGAL**

PGAL, Inc.  
14135 Midway Rd.  
Suite G-200  
Addison, TX 75001  
P: (972) 871 2225  
T: (214) 671 2228  
www.pgal.com

REGISTRATION  
  
INTERIM REVIEW DOCUMENTS  
NOT INTENDED FOR BIDDING, PERMIT OR CONSTRUCTION PURPOSES  
DARIN JENNINGS  
TEXAS REGISTRATION NO. 82476  
DATE: MARCH 26, 2021

DRAWING HISTORY

PROJECT NAME  
**Dallas Fire Station No. 41**

PROJECT LOCATION  
**5920 Royal Ln,  
Dallas, TX 75230**

P-GAL PROJECT NUMBER  
**1005299**

SHEET TITLE  
**Site Plan**

SHEET NUMBER  
**C1.0**

IHS FOURTEEN LTD.  
CONDOMINIUM DECLARATION FOR ROYAL LANE CONDOMINIUMS  
VOLUME 78004, PAGE 637  
CONDOMINIUM RECORDS, DALLAS COUNTY, TEXAS

CITY OF DALLAS FIRE STATION No. 41  
VOLUME 4650, PAGE 346, D.R.D.C.T.  
FEBRUARY 5, 1957  
"CITY OF DALLAS"  
BLOCK 5505  
VOLUME 6703, PAGE 0041, P.R.D.C.T.  
CHARLES G. NEWTON SURVEY,  
ABSTRACT 1091

LOT 1, BLOCK "B"  
BLOCK 5505